

- 把食物殘渣和垃圾放入有蓋的垃圾桶，並每天清理。

Dispose of food remnants and refuse properly in covered rubbish bins and clear daily.

(b) 清除老鼠匿藏地點

Eliminate rodent harbourage

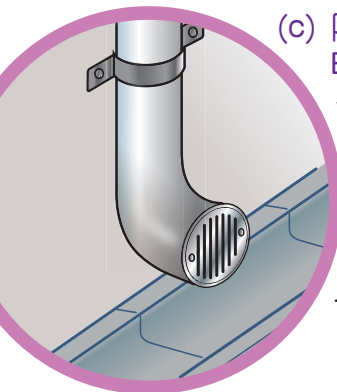
- 不要堆積廢物、垃圾或雜物。
Avoid accumulation of disused articles, refuse or junk.
- 用適當物料(如金屬片)遮蔽由貨櫃箱改裝的辦公室底部空隙，縫隙須少於6毫米，以防老鼠爬進。
Prevent rodents from entering the voids beneath container offices by screening the gaps with appropriate material (e.g. metal plates) to minimise the openings to smaller than 6 mm.
- 妥善貯存貨物。把貨物放置在貨板上，貨板須離地面至少21厘米及離牆壁至少45厘米。
Store goods properly. Place goods on pallets at least 21 cm above the ground and 45 cm from adjacent walls.

(c) 防止老鼠從外面進入

Exclude rodents from the areas

- 在管道口裝上網孔少於6毫米的鐵格柵，或塞入有刺的鐵絲網球。鐵格柵如有損毀，須盡快更換。
Install gratings with apertures not more than 6 mm or plug barbed wire balls into the openings of pipes. Replace all defective gratings as soon as possible.
- 裝置管道、電線或分體式冷氣機後，在外牆、地板及屋頂留下的洞，須用金屬片或水泥密封。
Use metal plates or cement to seal all openings left in external walls, floors and roofs after the installation of pipes, wires or split-type air conditioners.
- 把門腳與地板之間的縫隙減至少於6毫米，並在門的底部(包括門框)裝上至少30厘米高的金屬踢板。

Lower the threshold clearance of doors to not more than



2. 輔助防治措施 Supplementary measures

尋求專業防治蟲鼠人員處理鼠患。

Request professional pest control operators to handle rodent problems.

(a) 毒殺

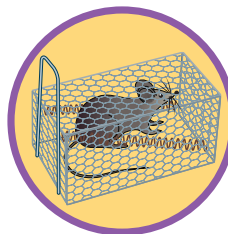
Poisoning

- 小心使用殺鼠劑毒殺老鼠，並須嚴格遵照標籤上的用法說明，以免傷及人畜。
Use rodenticides with caution. Follow strictly application instructions on the label to avoid harming people and other animals.

(b) 誘捕

Trapping

- 在老鼠經常出沒的地方，放置有鼠餌的捕鼠器(如老鼠籠)誘捕老鼠。
Use baited trapping devices (e.g. cages) at places visited by rodents frequently.



6 mm and affix metal kicking plates of at least 30 cm high to the lower edges of doors and door frames.

- 檢查卸下的貨物，確保沒有老鼠隨貨物一起運進裝卸區內

Inspect unloaded goods to prevent rodents from entering the areas with the goods.



防鼠工作做得好 鼠患問題自然冇 Eliminate Rodent Nuisance Take Preventive Measures

食物環境衛生署

Food and Environmental Hygiene Department

查詢熱線 Enquiry Hotline: 2868 0000

網址 Website: www.fehd.gov.hk

食物環境衛生署出版 政府物流服務署印

Published by the Food and Environmental Hygiene Department
Printed by the Government Logistics Department (06/2017)

防治蟲鼠事務諮詢組

Pest Control Advisory Section

電話 Tel: 3188 2064

貨物裝卸區



防治鼠患須知

Prevention and Control of Rodents in Cargo Handling Areas



 食物環境衛生署
Food and Environmental
Hygiene Department

貨物裝卸區的鼠患 Rodent Problems in Cargo Handling Areas

貨物裝卸區內的食物、食物殘渣及垃圾，若處理不善，會是老鼠的食物來源。貨物裝卸區內的臨時搭建物（如辦公室）、堆積的廢物、貯存不當的貨物、地上的裂縫及洞等，也有機會成為老鼠匿藏的地點。

Food, food remnants and refuse in cargo handling areas, if not handled properly, may become a source of food for rodents. Temporary structures (e.g. offices), accumulation of disused articles, improper storage of goods, and structural defects such as cracks and holes on the ground may also provide harbourage for rodents.



老鼠的種類及特性 Types and Characteristics of Rodents

老鼠是群居動物，繁殖力極強。成年雌鼠每年約可產下50隻幼鼠。老鼠善於游泳和攀爬。本港常見的鼠類有溝鼠、黑家鼠和小家鼠三種。

Rodents are social animals with a very high reproduction rate. An adult female rat can give birth to about 50 baby rats a year. They are good at swimming and climbing. Rodents commonly found in Hong Kong include *Rattus norvegicus* (sewer rat), *Rattus rattus* (black rat), and *Mus musculus* (house mouse).

老鼠帶來的禍害 Hazards Caused by Rodents

1 傳播疾病 Transmission of Diseases

老鼠可直接或間接向人類傳播疾病，例如鼠疫、鉤端螺旋體病、叢林斑疹傷寒、鼠斑疹傷寒及漢坦病。老鼠在骯髒環境生活，可帶有多種病菌。進食或飲用受老鼠污染的食物和水後，可引致食物中毒或感染傳染病。

Rodents can transmit directly or indirectly to humans diseases such as plague, leptospirosis, scrub typhus, urban typhus and hantaviral infection. Living in dirty environment, rodents are prone to carry pathogens. Ingestion of food and water contaminated by them can cause food poisoning or contraction of infectious diseases.



2 財物損失 Loss of Property

老鼠會咬爛大廈裝置和貯存的物品，造成財物損失。牠們會咬斷電線或電纜，導致短路而引起火警。老鼠也會破壞電話線和電腦接線。

Rodents cause economic loss by gnawing fittings and stored goods. They may bite electric wires or cables, causing fire due to short-circuiting. They may also damage telephone wires and computer cables.

3 咬傷人類 Biting People

老鼠如受驚嚇會襲擊人。

Rodents may attack people when they are frightened.



鼠患跡象 Signs of Rodent Infestation

如發現老鼠出沒，附近必有鼠患。若有鼠糞、鼠洞、鼠道、齒痕、腳印或擦跡等痕跡，亦顯示有老鼠為患。

Apart from finding rodents around the areas, other signs of rodent infestation include rodent droppings, rat holes, runways, gnawing marks, footmarks or smears.

防治老鼠措施 Rodent Prevention and Control Measures

1. 基本防治措施 Fundamental measures

(a) 斷絕老鼠的食物來源

Remove food sources for rodents

- 保持地方清潔，特別是由貨櫃箱改裝的辦公室、垃圾收集站及貯物地方。

Keep premises clean, especially site offices converted from cargo containers, refuse collection points and storage areas.

- 用有蓋容器妥為貯存食物。

Store all food properly in covered containers.

